



Marine Diesel Engine V158TI

- Compact Design
- Excellent Performance
- Low Fuel Consumption
- Easy Maintenance



- Rating output
 - 500kW (680PS)
- Displacement
 - 14,618cc
- Dimension (L × W × H)
 - 1,657 × 1,226 × 1,397mm
 - Without Reduction Gear

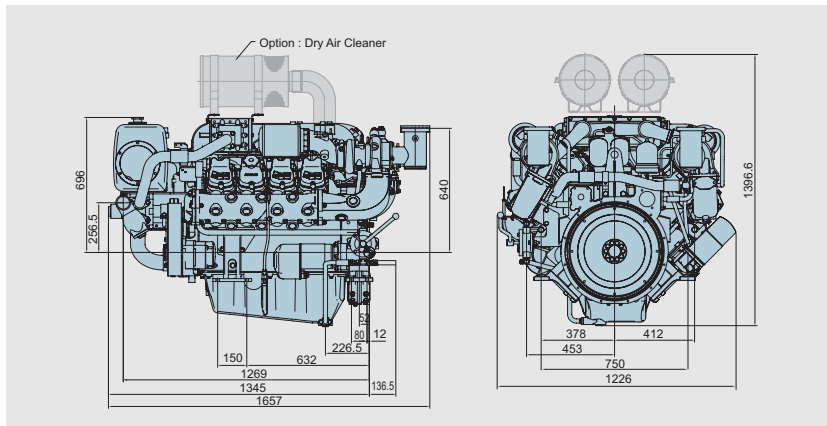
Doosan Infracore
Engine

Main Specification

Model	Units	V158TI (D2848LB)		
		V158TIH	V158TIM	V158TIL
Engine type		4cycle, V type, direct-injection, water cooled with turbo charger & inter-cooler		
Rating output	PS(kW) / rpm	480(353)/1,800	540(397)/2,100	680(500)/2,300
Displacement	c c	14,618		
Cylinder number - bore x stroke	mm	8 -128 x 142		
Flywheel housing & fly wheel		SAE 1 & 14		
Low idling rpm	rpm	725 ± 25		
No load max. rpm	rpm	below 2,070	below 2,415	below 2,645
Compression ratio		15 : 1		14.6 : 1
Firing order		1 - 5 - 7 - 2 - 6 - 3 - 4 - 8		
Governor type of injection pump		Mechanical variable speed (R.Q.V)		
Fuel consumption(only Ref.)@ rated power	g / PS.h	147	154	159
	Lit / h	85	100	130
Starting system		Electric Starting by starter motor		
Starter motor capacity	V - kW	24 - 6.6		
Alternator capacity	V - A	24 - 50		
Battery	V - Ah	24 - 200		
Cooling system		Indirect sea water cooling with heat exchanger		
Cooling water capacity	Max. / Min.	lit 89 / 78		
Fresh water pump type		Centrifugal type, driven by belt		
Sea water pump type		Bronze impeller type driven by belt		
Lubricating oil(Engine)	Pan capacity	lit Max : 31, Min : 25 (Engine total : 35)		
	Pressure	kg/cm ² Full : 3.5, Idle : 1.2		
Direction of revolution	Crankshaft	Counter clockwise viewed from stern side		
Engine Size(L x W x H)	Without M/G	mm 1,657 x 1,226 x 1,397		
Engine dry weight	Without M/G	kg 1,350		1,435

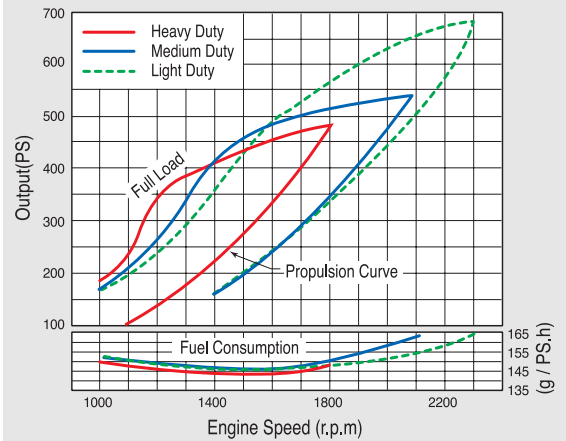
H : Heavy Duty, M : Medium Duty, L : Light Duty

Engine Dimension



Performance Curve

- Heavy duty : 353kW(480PS)@1,800rpm
- Medium duty : 397kW(540PS)@2,100rpm
- Light duty : 500kW(680PS)@2,300rpm



Marine rating to ISO 3046

(1) Heavy Duty

Operation hours are unlimited per year, at average load is up to 90 %, at full load is up to 80 %
 Typical gearbox ratio: 2.5 ~ 6
 (Fishing trawler, Tug boat, Pushing vessel, Cargo boat, Freighter, Ferry)

(2) Medium Duty

Operation hours are up to 3,000 per year, at average load is up to 70 %
 At full load is (up to 30 % / 4hrs per 12 hour operation period)
 Typical gearbox ratio: 2 ~ 3.5
 (Fishing trawler, Pilot boat, Escort boat, Passenger boat, Freighter, Ferry, Cruising vessel)

(3) Light Duty

Operation hours are up to 1,000 per year, at average load is up to 50 %
 At full load is (up to 20 % / 2hrs per 12 hour operation period)
 Typical gearbox ratio: 1 ~ 2.5
 (Light weight fishing boat, Yacht, Cruising vessel, Fast boat, Fire pump)

(Nov.2012)

AUTHORIZED DEALER

Doosan Infracore Engine

21/F, Doosan Tower, 18-12, Euljiro 6-ga,
 Jung-gu, Seoul, 100-730, Korea.
 Tel : 82 2 3398 8400
 Fax : 82 2 3398 8509
 Email : doosanmarine@doosan.com
 http://engine.doosaninfracore.co.kr

* Specifications are subject to change without prior notice.