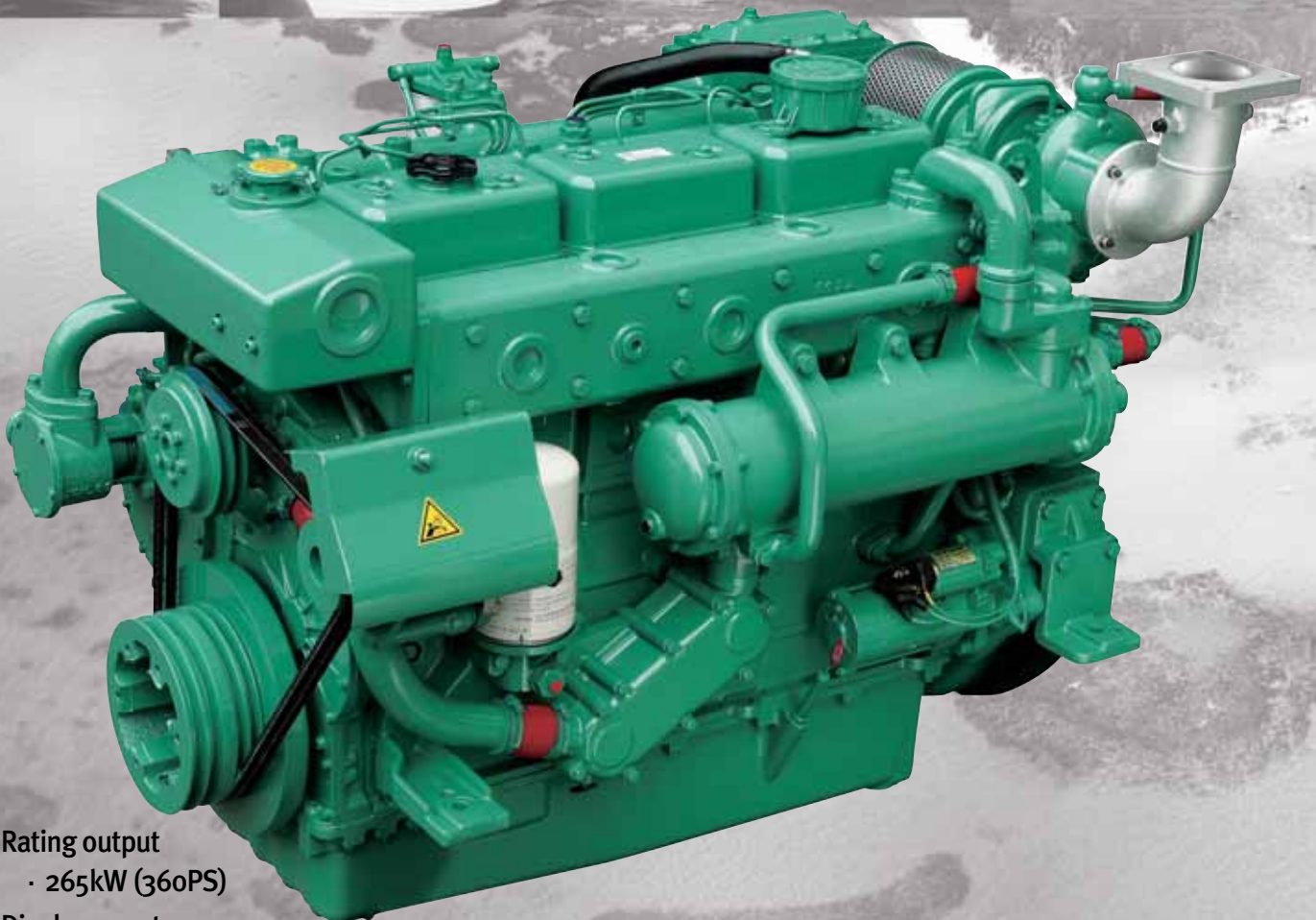




Marine Diesel Engine L086TI

- Compact Design
- Excellent Performance
- Low Fuel Consumption
- Easy Maintenance



- Rating output
 - 265kW (360PS)
- Displacement
 - 8,071cc
- Dimension (L × W × H)
 - 1,364 × 919 × 965mm
 - Without Reduction Gear

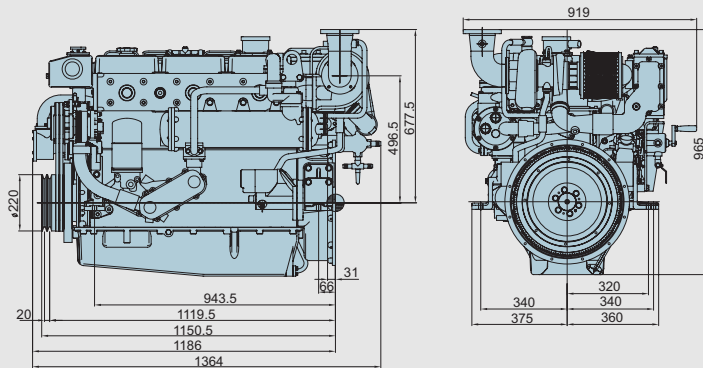
Doosan Infracore
Engine

Main Specification

Model	Units	L086TI (D1146TIB)		
		L086TIH	L086TIM	L086TIL
Engine type		4cycle, In line, direct-injection, water cooled with turbo charger & inter-cooler		
Rating output	PS(kW)/rpm	285(210)/2,100	315(232)/2,300	360(265)/2,500
Displacement	cc	8,071		
Cylinder number -bore x stroke	mm	6 - 111 x 139		
Flywheel housing & fly wheel		SAE 2 & 11 1/2		
Low idling rpm	rpm	750 ± 25		
No load max. rpm	rpm	below 2,310	below 2,530	below 2,750
Compression ratio		16.7 : 1		15.3 : 1
Firing order		1 - 5 - 3 - 6 - 2 - 4		
Governor type of injection pump		Mechanical all speed (R.S.V)		
Fuel consumption (only Ref.)@ rated power	g / ps.h	152	163	167
	liter/h	52	62	72
Starting system		Electric starting by starter motor		
Starter motor capacity	V - kW	24 - 4.5		
Alternator capacity	V - A	24 - 50		
Battery	V - Ah	24 - 100		
Cooling system		Indirect sea water cooling with heat exchanger		
Cooling water capacity	Max. / Min.	lit 27 / 25		
Fresh water pump type		Centrifugal type, driven by V-belt		
Sea water pump type		Rubber impeller type driven by gear		
Lubricating oil (Engine)	Pan capacity	lit Max : 23, Min : 17 (Engine total : 25)		
	Pressure	kg/cm ² Full : 3.5, Idle : 1.2		
Direction of revolution	Crankshaft	Counter clockwise viewed from stern side		
Engine Size(L x W x H)Without M/G	mm	1,364 x 919 x 965		
Engine dry weight	Without M/G	kg 790		

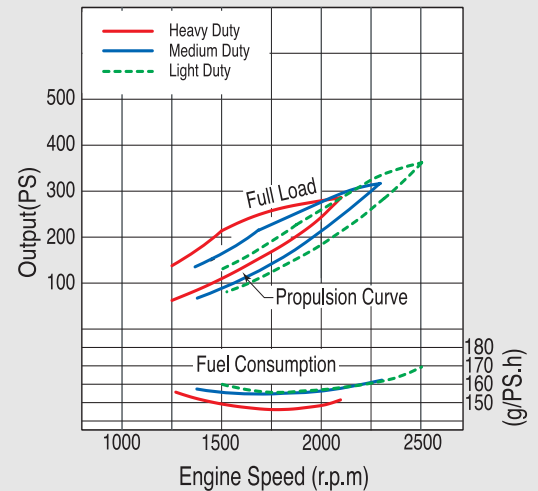
H : Heavy Duty, M : Medium Duty, L : Light Duty

Engine Dimension



Performance Curve

- Heavy duty : 210kW(285PS)@2,100rpm
- Medium duty : 232kW(315PS)@2,300rpm
- Light duty : 265kW(360PS)@2,500rpm



Marine rating to ISO 3046

(1) Heavy Duty

Operation hours are unlimited per year, at average load is up to 90 %, at full load is up to 80 %
 Typical gearbox ratio: 2.5 ~ 6
 (Fishing trawler, Tug boat, Pushing vessel, Cargo boat, Freighter, Ferry)

(2) Medium Duty

Operation hours are up to 3,000 per year, at average load is up to 70 %
 At full load is (up to 30 % / 4hrs per 12 hour operation period)
 Typical gearbox ratio: 2 ~ 3.5
 (Fishing trawler, Pilot boat, Escort boat, Passenger boat, Freighter, Ferry, Cruising vessel)

(3) Light Duty

Operation hours are up to 1,000 per year, at average load is up to 50 %
 At full load is (up to 20 % / 2hrs per 12 hour operation period)
 Typical gearbox ratio: 1 ~ 2.5
 (Light weight fishing boat, Yacht, Cruising vessel, Fast boat, Fire pump)

(Nov.2012)

AUTHORIZED DEALER

Doosan Infracore Engine

21/F, Doosan Tower, 18-12, Euljiro 6-ga,
 Jung-gu, Seoul, 100-730, Korea.
 Tel : 82 2 3398 8400
 Fax : 82 2 3398 8509
 Email : doosanmarine@doosan.com
 http://engine.doosaninfracore.co.kr

* Specifications are subject to change without prior notice.