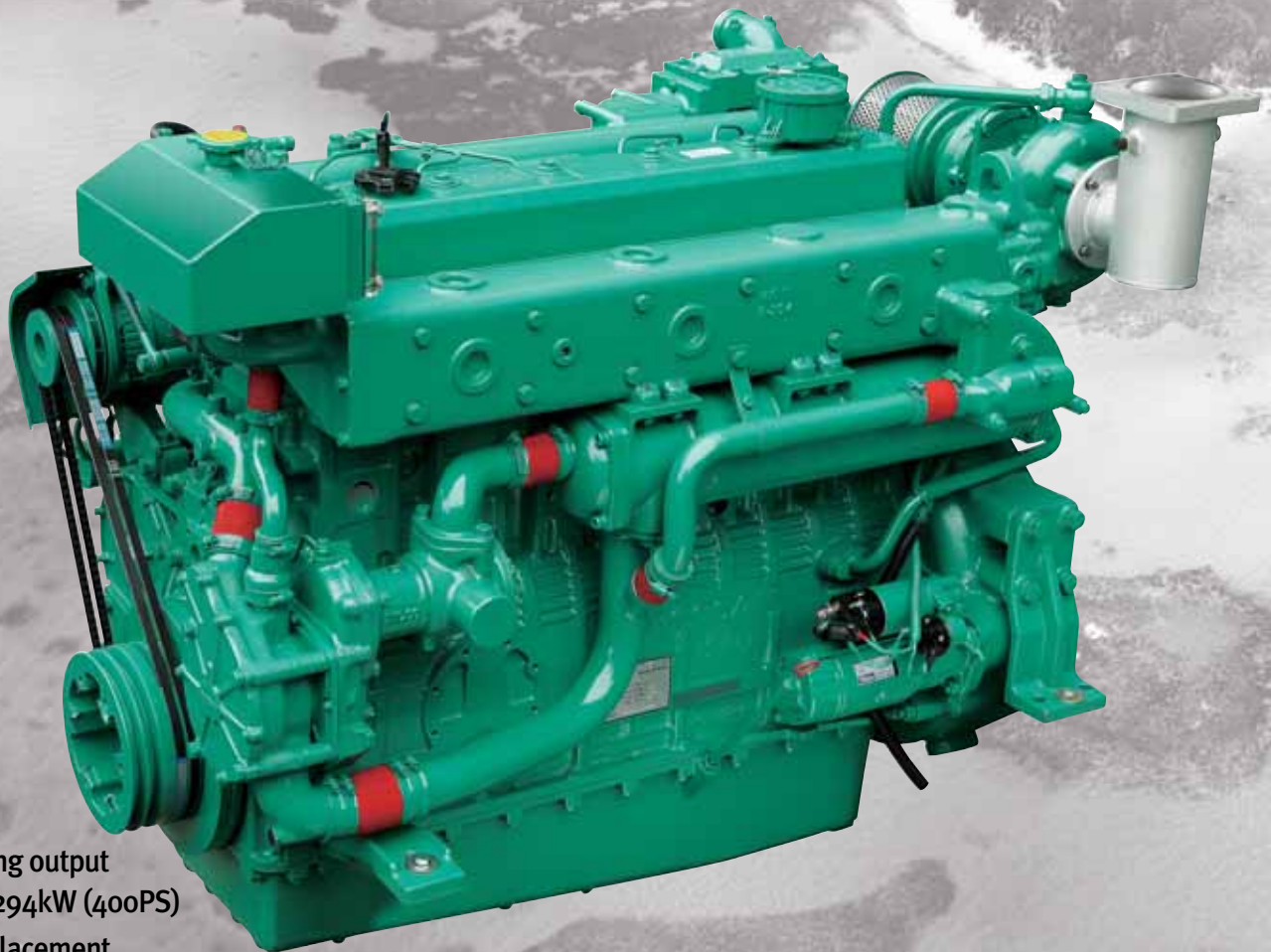




Marine Diesel Engine L126TI

- Compact Design
- Excellent Performance
- Low Fuel Consumption
- Easy Maintenance



- Rating output
 - 294kW (400PS)
- Displacement
 - 11,051cc
- Dimension (L × W × H)
 - 1,414 × 933 × 1,077mm
 - Without Reduction Gear

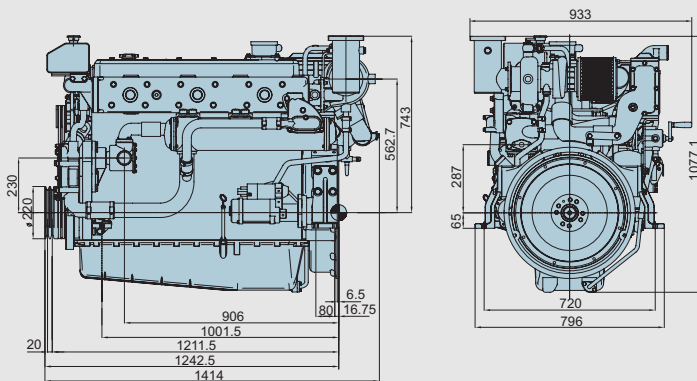
Doosan Infracore
Engine

Main Specification

Model	Units	L126TI	
		L126TIH	L126TIM
Engine type		4cycle, In line, direct-injection, water cooled with turbo charger & inter-cooler	
Rating output	PS(kW) / rpm	360(265) / 2,000	400(294) / 2,100
Displacement	c c	11,051	
Cylinder number - bore x stroke	mm	6 - 123 x 155	
Flywheel housing & fly wheel		SAE 1 & 14	
Low idling rpm	rpm	725 ± 25	
No load max. rpm	rpm	below 2,200	below 2,310
Compression ratio		17 : 1	
Firing order		1 - 5 - 3 - 6 - 2 - 4	
Governor type of injection pump		Mechanical variable speed (R.S.V)	
Fuel consumption(only Ref.)@ rated power	g / PS.h	154	159
	lit / h	67	77
Starting system		Electric Starting by starter motor	
Starter motor capacity	V - kW	24 - 6.0	
Alternator capacity	V - A	24 - 50	
Battery	V - Ah	24 - 150	
Cooling system		Indirect sea water cooling with heat exchanger	
Cooling water capacity	Max. / Min.	lit 24 / 19	
Fresh water pump type		Centrifugal type, driven by gear	
Sea water pump type		Rubber impeller type driven by gear	
Lubricating oil(Engine)	Pan capacity	lit	Max : 25, Min : 19 (Engine total : 27)
	Pressure	kg/cm ²	Full : 3.5, Idle : 1.2
Direction of revolution	Crankshaft	Counter clockwise viewed from stern side	
Engine size(L x W x H)	Without M/G	mm	1,414 x 933 x 1,077
Engine dry weight	Without M/G	kg	1,060

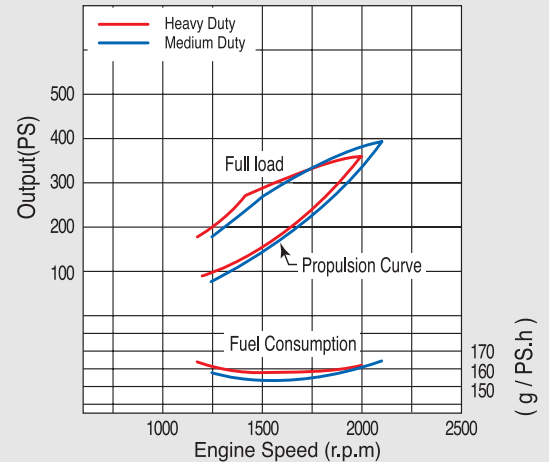
H : Heavy Duty, M : Medium Duty, L : Light Duty

Engine Dimension



Performance Curve

- Heavy duty : 265kW(360PS)@2,000rpm
- Medium duty : 294kW(400PS)@2,100rpm



Marine rating to ISO 3046

(1) Heavy Duty

Operation hours are unlimited per year, at average load is up to 90 %, at full load is up to 80 %
Typical gearbox ratio: 2.5 ~ 6
(Fishing trawler, Tug boat, Pushing vessel, Cargo boat, Freighter, Ferry)

(2) Medium Duty

Operation hours are up to 3,000 per year, at average load is up to 70 %
At full load is (up to 30 % / 4hrs per 12 hour operation period)
Typical gearbox ratio: 2 ~ 3.5
(Fishing trawler, Pilot boat, Escort boat, Passenger boat, Freighter, Ferry, Cruising vessel)

(3) Light Duty

Operation hours are up to 1,000 per year, at average load is up to 50 %
At full load is (up to 20 % / 2hrs per 12 hour operation period)
Typical gearbox ratio: 1 ~ 2.5
(Light weight fishing boat, Yacht, Cruising vessel, Fast boat, Fire pump)

(Nov.2012)

AUTHORIZED DEALER

Doosan Infracore Engine

21/F, Doosan Tower, 18-12, Euljiro 6-ga,
Jung-gu, Seoul, 100-730, Korea.
Tel : 82 2 3398 8400
Fax : 82 2 3398 8509
Email : doosanmarine@doosan.com
http://engine.doosaninfracore.co.kr

* Specifications are subject to change without prior notice.